



OVER-PRESSURE REVERSING VALVES

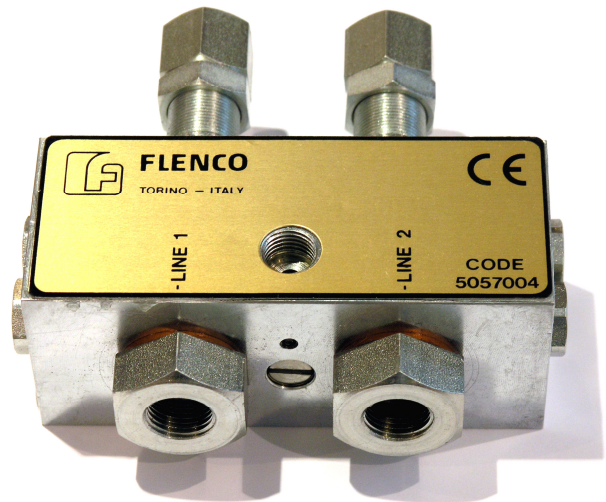
5057004 SERIES Over-pressure Reversing Valve does not require external controls (electrical, pneumatic or mechanical). It functions as a result of a pre-set increase of pressure.

The pressure control of this valve is determined by the compression of internal springs. The two springs work simultaneously permitting a pressure regulation from 6 to 30 MPa (870 to 4,350 psi).

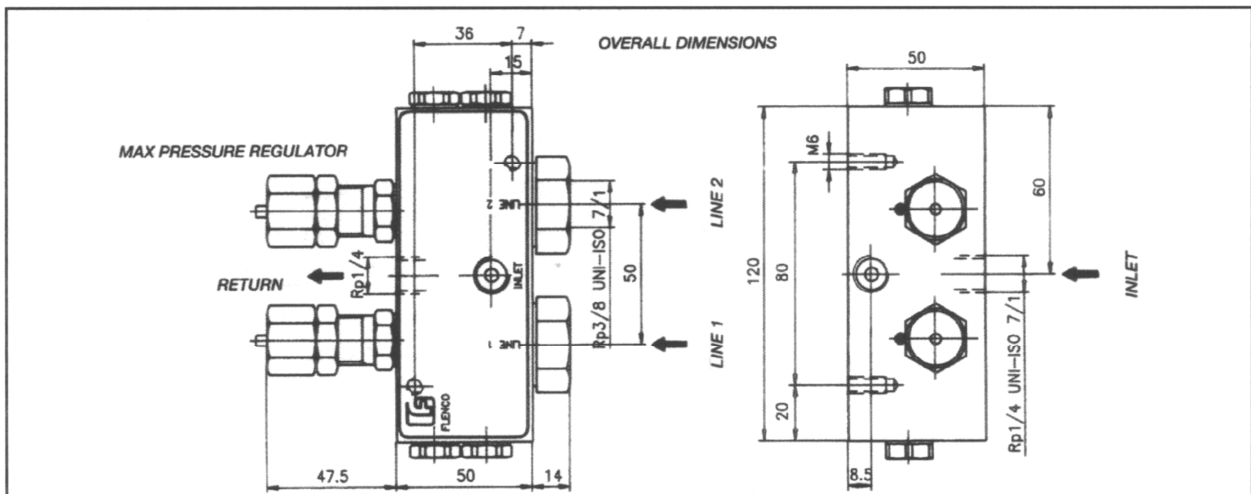
For pressures below this range - 3 to 8 MPa (435 to 1,160 psi) - it will be necessary to remove the larger spring from inside the valve, leaving the smaller spring to regulate the valve.

A pin secured to the control piston gives a visual indication of the operation of the valve.

This heavy duty valve has a steel body with precision lapped and honed pistons, therefore replacement piston and bodies cannot be supplied separately, as a result it will be necessary to replace the complete valve.



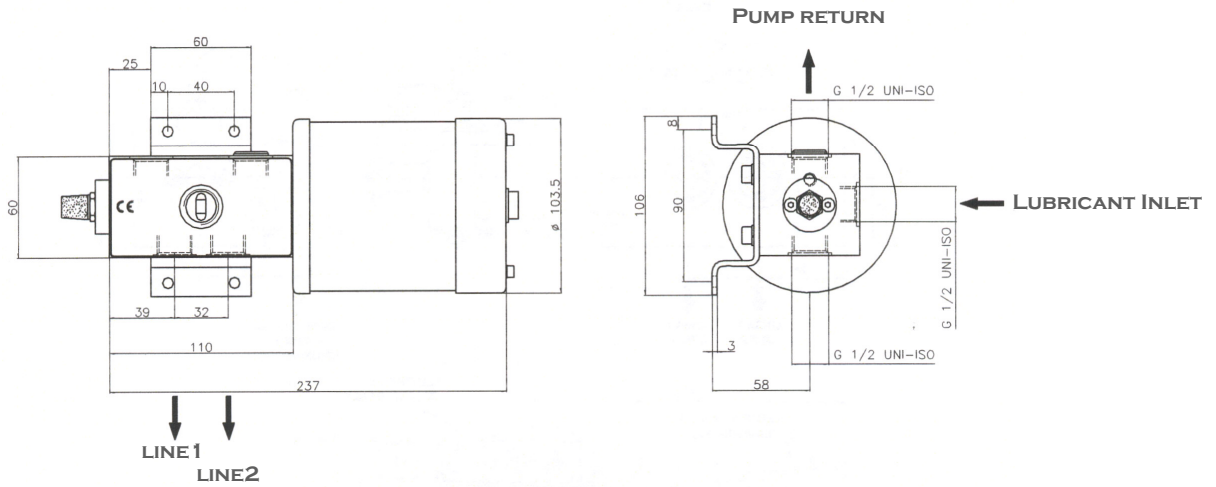
Reverse pressure from 3 to 30 MPa max (435-4350 PSI) by changing the springs load, the lines reverse pressures are regulated.



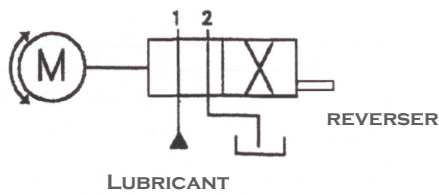
Specialist Lubrication Engineers

ELECTRO-MECHANICAL REVERSING VALVE

PRESSURES UP TO 40 MPA



FUNCTIONAL DIAGRAM



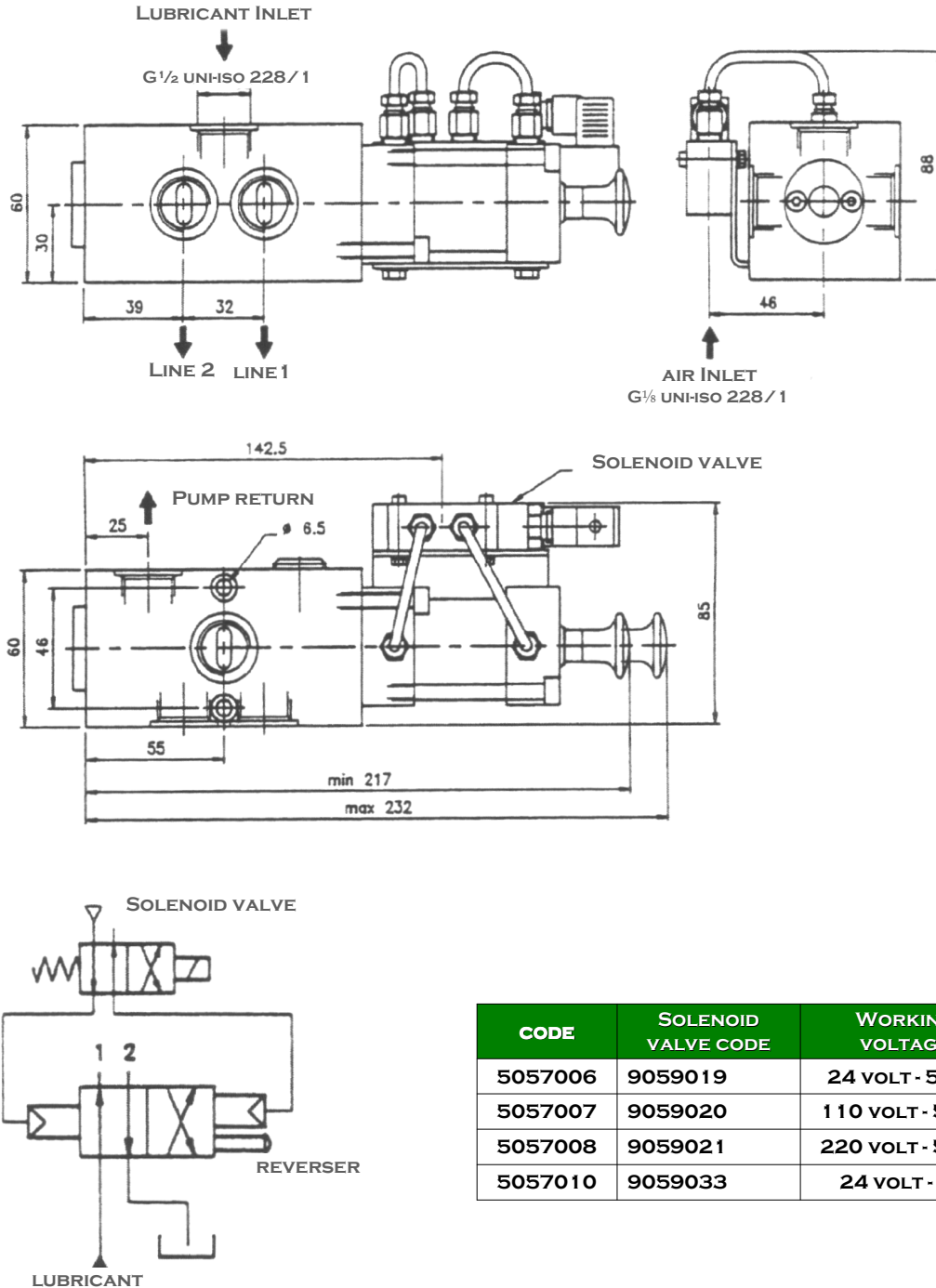
CODE	WORKING VOLTAGE
5057009	24 VOLT AC / DC
5057011	220 VOLT - 50HZ



Specialist Lubrication
Engineers

ELECTRO-PNEUMATIC REVERSING VALVE

PRESSURES UP TO 50 MPa (7,250 PSI)



CODE	SOLENOID VALVE CODE	WORKING VOLTAGE
5057006	9059019	24 VOLT - 50HZ
5057007	9059020	110 VOLT - 50HZ
5057008	9059021	220 VOLT - 50HZ
5057010	9059033	24 VOLT - DC



R J Mellor & Co Ltd

1 Devonshire Grove, Sheffield, South Yorkshire, England, S17 3PG

Tele: +44 (0) 114 236 8666 Fax: +44(0) 114 236 3020

E-mail: sales@rjmellor.co.uk Web: www.rjmellor.co.uk

The information contained in this data sheet is for guidance only and does not form part of any contract. The accuracy cannot be guaranteed as R J Mellor & Co Ltd. has an ongoing process of development and reserve the right to change the specification of their products without notice